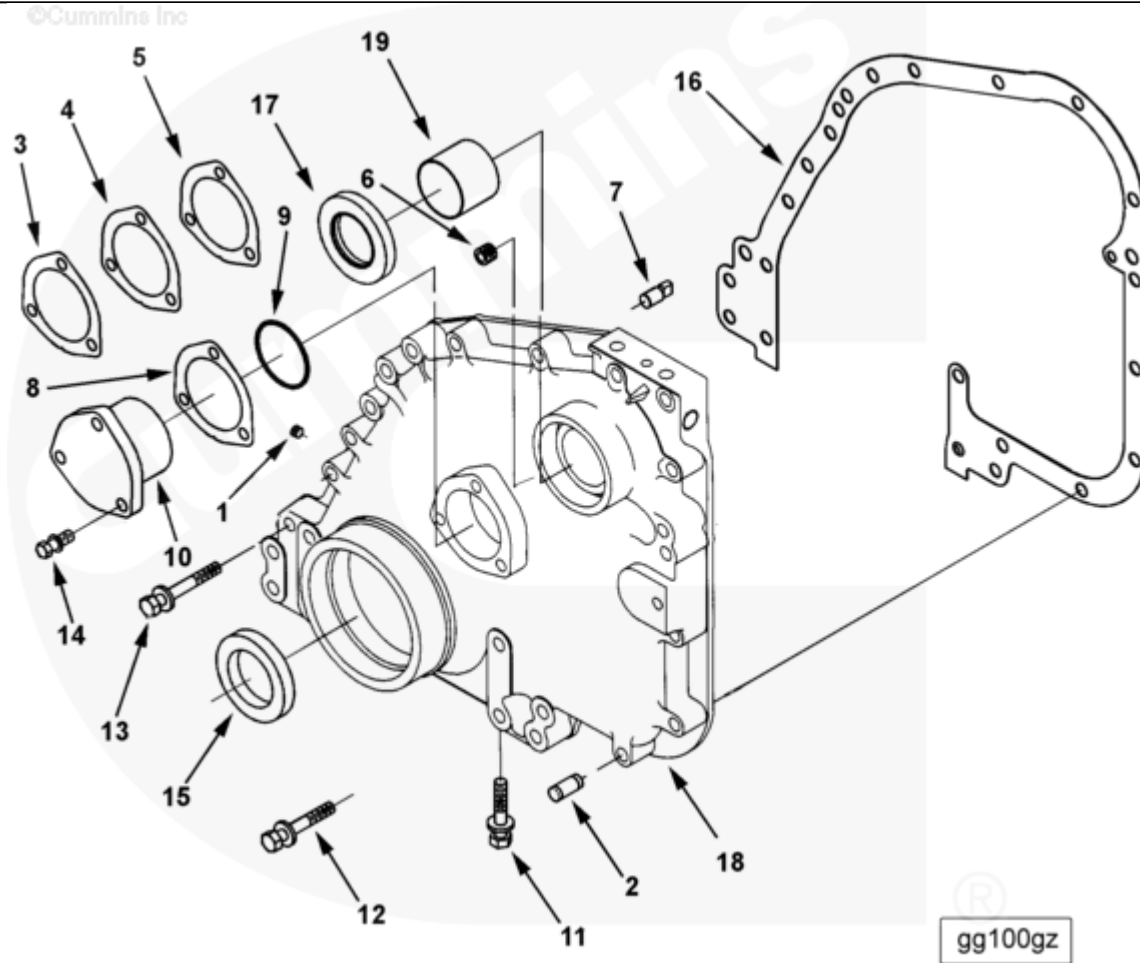




Parts Catalog - Option Detail

Electronic Parts Catalog - Option Detail				
Option	Group	Graphic	Film Card	Date
GG1712-02	01.06	gg100gz	FF	02-JUL-00
Engines	G855, G855 CM558, GTA855 CM558 (CM2358) G101, N14 CELECT, N14 CELECT PLUS, N14 MECHANICAL, NH/NT 855, QSM11 CM876 M101, QSM11 CM876 M102M, QSN14 CM876 N103, QSN14 CM876 N105, QSNT14 CM876 N102			



[SMALL](#) | [MEDIUM](#) | [LARGE](#)

Cart	Ref No	Part Number	Part Description	Required	Remarks
View My Cart					
		GG1712-02	Front Gear Cover		
					Front cast iron gear cover
					for front power take off

					clutch.
					Camshaft support with large
					accessory drive shaft.
<input type="checkbox"/>	1	S 911 B	Pipe Plug	2	1/8 NPT
<input type="checkbox"/>	2	60408	Pin Dowel	1	
<input type="checkbox"/>	3	65259 A	Shim	1	
<input type="checkbox"/>	4	65259 B	Shim	1	
<input type="checkbox"/>	5	65259 C	Shim	1	
<input type="checkbox"/>	6	3013786	Pipe Plug	1	3/8 NPT.
<input type="checkbox"/>	7	70653	Diamond Dowel	1	
<input type="checkbox"/>	8	185573	Shim	3	
<input type="checkbox"/>	9	215705	O-Ring Seal	1	
<input type="checkbox"/>	10	3008530	Camshaft Thrust Support	1	
<input type="checkbox"/>	11	3011711	Captive Washer Cap Screw	7	7/16 - 20 X 2 Inch.
<input type="checkbox"/>	12	3011713	Captive Washer Cap Screw	1	7/16 - 20 X 2 5/8 Inch.
<input type="checkbox"/>	13	3011714	Captive Washer Cap Screw	13	7/16 - 20 X 3 Inch.
<input type="checkbox"/>	14	3011715	Captive Washer Cap Screw	3	3/8 - 16 X 1 3/16 in.
	15	3020186	Oil Seal	1	
<input type="checkbox"/>	16	3413082	Gear Cover Gasket	1	
<input type="checkbox"/>	17	3020185	Oil Seal	1	
<input type="checkbox"/>		4003648	Gear Cover	1	
	18	4003649	Gear Cover	1	
<input type="checkbox"/>	19	3411389	Bushing	1	